



# X-BAND LOW NOISE AMPLIFIER

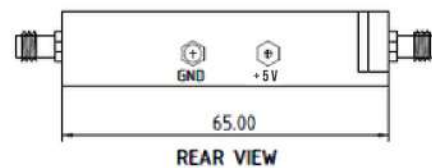
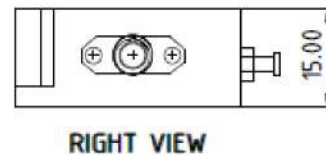
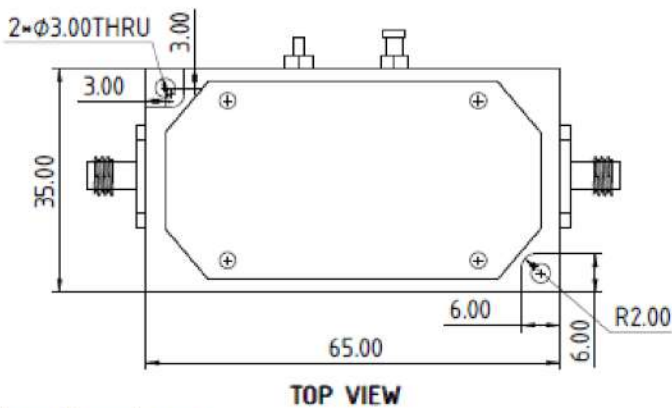
Model No: US/LNA/X-9400/5

Technical Specifications	
Frequency Range	9.3 - 9.5 GHz
Input Impedance	50 ohms
Input VSWR	1.5:1
Gain	30dB min.
Gain Flatness over operating frequency	+/- 1.0 dB
Output power @1dB gain compression	+ 16dBm max.
Output VSWR	1.5:1
Output Impedance	50 ohms
Noise Figure	2.5 dB max.
RF Connectors I/p & O/p	SMA (Female)
Bias Connectors	Feedthrough
Power Supply	+5 VDC
Operating Temperature	0 to +50 deg. C
Dimensions	65x35x15 mm approx.

## Features

- Available for X-Band Frequency
- Low Power Consumption
- An Internal Limiter
- Low Noise Figure
- Wide gain control range
- Excellent gain flatness
- Customization can be made based on the application requirement of the customer.

## Physical Dimensions (in mm)



## Applications



Aerospace



Defence



Satcom



Broad Casting



#142, 18th 'A' Main, HAL 2nd Stage, Indiranagar, Bengaluru-560 008, INDIA.

Tel: 91-80-25272969 / 91-80-25251318

E mail: enquiry@umac.in Website: www.umac.in



# Our PRODUCTS

## MULTI COUPLERS

- S-Band Multi Couplers
- C-Band Multi Couplers
- L-Band Multi Couplers
- Wideband Multi Couplers

## DOWN CONVERTERS

- S-Band Down Converters
- C-Band Down Converters
- L-Band Down Converters
- X-Band Down Converters

## UP CONVERTERS

- S-Band Up Converters
- C-Band Up Converters
- L-Band Up Converters
- X-Band Up Converters

## CAVITY / LC FILTERS

- S-Band Cavity / LC Filters
- C-Band Cavity / LC Filters
- L-Band Cavity / LC Filters
- X-Band Cavity / LC Filters

## TEST LOOP TRANSLATORS

- S-Band TLTs
- C-Band TLTs
- L-Band TLTs
- X-Band TLTs

## LOW NOISE AMPLIFIERS (LNA)

- S-Band Low Noise Amplifier
- C-Band Low Noise Amplifier
- L-Band Low Noise Amplifier
- X-Band Low Noise Amplifier

## MEDIUM POWER AMPLIFIERS

- S-Band Medium Power Amplifier
- C-Band Medium Power Amplifier
- L-Band Medium Power Amplifier
- X-Band Medium Power Amplifier

## VARIABLE GAIN AMPLIFIERS

- S-Band Variable Gain Amplifier
- C-Band Variable Gain Amplifier
- L-Band Variable Gain Amplifier
- X-Band Variable Gain Amplifier

## POWER DIVIDERS / COMBINERS

- S-Band Power Dividers/Combiners
- C-Band Power Dividers/Combiners
- L-Band Power Dividers/Combiners
- X-Band Power Dividers/Combiners

## OTHER PRODUCTS

- Frequency Distribution Unit
- Tracking Receivers
- TT & C Systems
- TT & C Modems (On-Board)