



C-BAND LOW NOISE AMPLIFIER

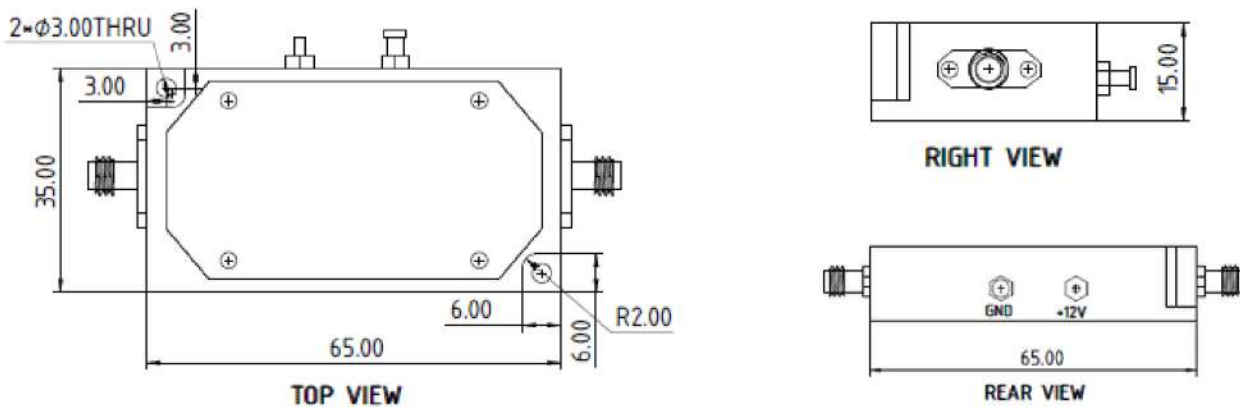
Model No: US/LNA/C-5650/12

| Technical Specifications | |
|--|---------------------|
| Frequency Range | 5.4 - 5.9 GHz |
| Input Impedance | 50 ohms |
| Input VSWR | 1.5:1 |
| Gain | 30dB min. |
| Gain Flatness over operating frequency | +/- 0.5 dB |
| Output power @1dB gain compression | + 15dBm max. |
| Output VSWR | 1.5:1 |
| Output Impedance | 50 ohms |
| Noise Figure | 1.5 dB max. |
| RF Connectors I/p & O/p | SMA (Female) |
| Bias Connectors | Feedthrough |
| Power Supply | +12 VDC |
| Operating Temperature | 0 to +55 deg. C |
| Dimensions | 65x35x15 mm approx. |

Features

- Available for C-Band Frequency
- Low Power Consumption
- An Internal Limiter
- Low Noise Figure
- Wide gain control range
- Excellent gain flatness
- Customization can be made based on the application requirement of the customer.

Physical Dimensions (in mm)



Applications



Aerospace



Defence



Satcom



Broad Casting



#142, 18th 'A' Main, HAL 2nd Stage, Indiranagar, Bengaluru-560 008, INDIA.

Tel: 91-80-25272969 / 91-80-25251318

E mail: enquiry@umac.in Website: www.umac.in



Our PRODUCTS

MULTI COUPLERS

- S-Band Multi Couplers
- C-Band Multi Couplers
- L-Band Multi Couplers
- Wideband Multi Couplers

DOWN CONVERTERS

- S-Band Down Converters
- C-Band Down Converters
- L-Band Down Converters
- X-Band Down Converters

UP CONVERTERS

- S-Band Up Converters
- C-Band Up Converters
- L-Band Up Converters
- X-Band Up Converters

CAVITY / LC FILTERS

- S-Band Cavity / LC Filters
- C-Band Cavity / LC Filters
- L-Band Cavity / LC Filters
- X-Band Cavity / LC Filters

TEST LOOP TRANSLATORS

- S-Band TLTs
- C-Band TLTs
- L-Band TLTs
- X-Band TLTs

LOW NOISE AMPLIFIERS (LNA)

- S-Band Low Noise Amplifier
- C-Band Low Noise Amplifier
- L-Band Low Noise Amplifier
- X-Band Low Noise Amplifier

MEDIUM POWER AMPLIFIERS

- S-Band Medium Power Amplifier
- C-Band Medium Power Amplifier
- L-Band Medium Power Amplifier
- X-Band Medium Power Amplifier

VARIABLE GAIN AMPLIFIERS

- S-Band Variable Gain Amplifier
- C-Band Variable Gain Amplifier
- L-Band Variable Gain Amplifier
- X-Band Variable Gain Amplifier

POWER DIVIDERS / COMBINERS

- S-Band Power Dividers/Combiners
- C-Band Power Dividers/Combiners
- L-Band Power Dividers/Combiners
- X-Band Power Dividers/Combiners

OTHER PRODUCTS

- Frequency Distribution Unit
- Tracking Receivers
- TT & C Systems
- TT & C Modems (On-Board)